

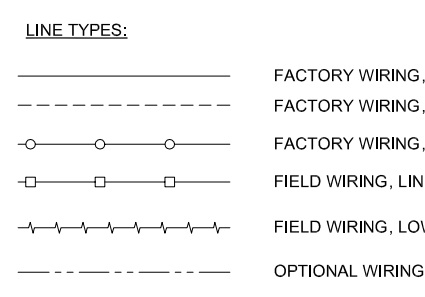
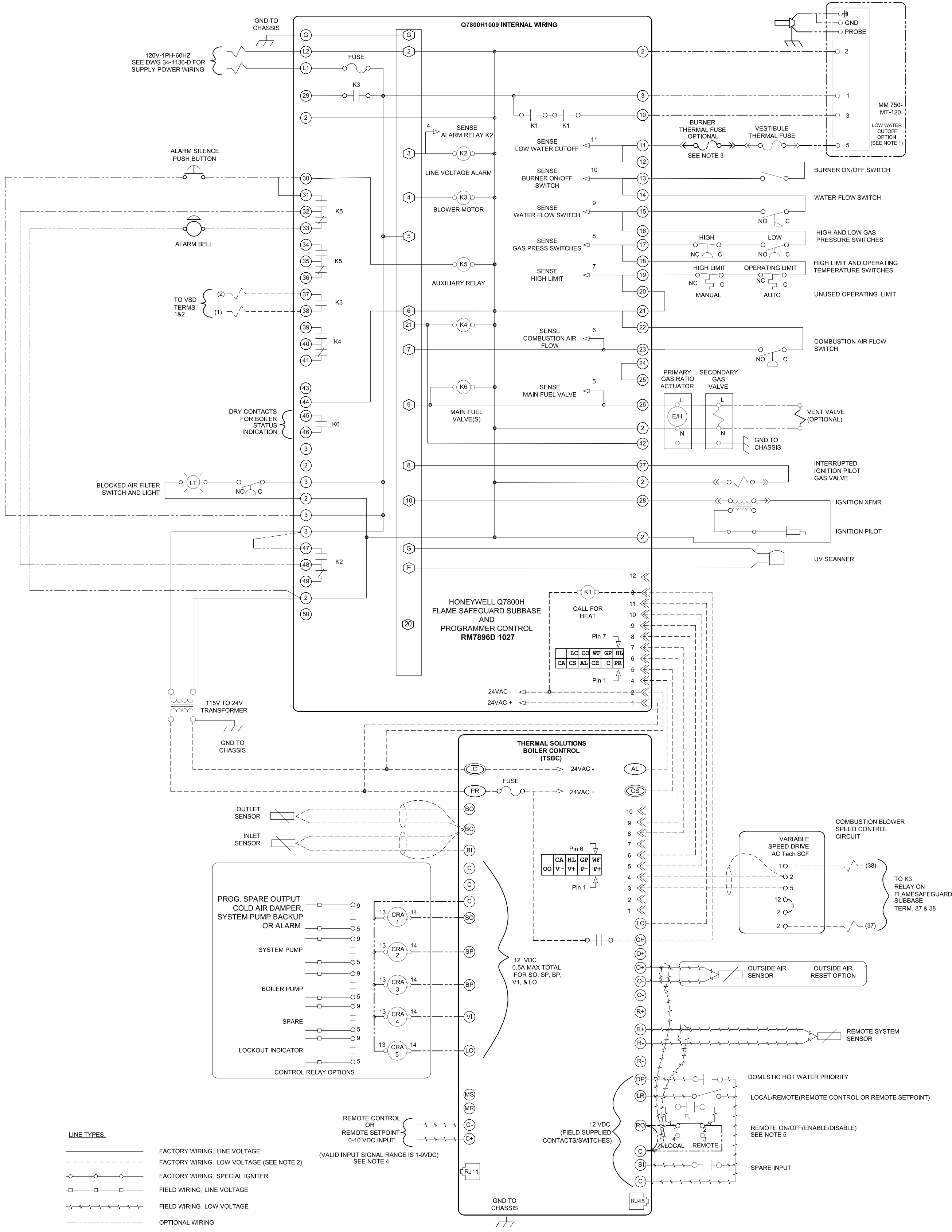
**TERMINAL TYPES:**

- # HONEYWELL RM 7800 SUBBASE
- # COMPRESSION
- # MOLEX CONNECTOR
- # MALE SPADE TERMINAL
- # FEMALE SPADE TERMINAL
- # RJ11 OR RJ45 CONNECTOR

**RELAY / SWITCH TERMINALS:**  
 C = COMMON  
 NC = NORM. CLOSED  
 NO = NORM. OPEN

REV: K	EN: 34-1194-11212	DATE: 01/26/17	DWN: CJW	CHKD: RP	APPD:
NOTE 1 "SHIPPED LOOSE" (WAS) "USED"					

- NOTES:**
- IF LOW WATER CUTOFF (LWCO) IS SHIPPED LOOSE DISCONNECT WIRE, LABELED P2 10/VESTIBULE, FROM VESTIBULE THERMAL FUSE AND CONNECT TO LWCO TERMINAL 3 AND CONNECT LWCO TERMINAL 5 TO VESTIBULE THERMAL FUSE.
  - FACTORY WIRING, LOW VOLTAGE IS 24VAC UNLESS OTHERWISE INDICATED.
  - IF THE BURNER THERMAL FUSE IS NOT USED (VENTURI BOILERS), REMOVE WIRE LABELED VEST FUSE/BURNER FUSE AND CONNECT WIRE LABELED 11 P2/BURNER FUSE TO THE VESTIBULE THERMAL FUSE.
  - THE VALID INPUT SIGNAL RANGE FOR TERMINALS (C+,C-) IS 1-9VDC. A SIGNAL ABOVE OR BELOW THIS RANGE IS RECOGNIZED AS A 'SOFT' ALARM. AS A RESULT, THE CONTROL FUNCTION IS IGNORED.
  - IF THE REMOTE ON/OFF (ENABLE/DISABLE) SWITCH IS NOT ORDERED, JUMPER TERMINAL RO TO TERMINAL C ON THE TSBC. WHEN IT IS ORDERED, THE SWITCH IS FACTORY SUPPLIED & THE CONTACTS ARE FIELD SUPPLIED.



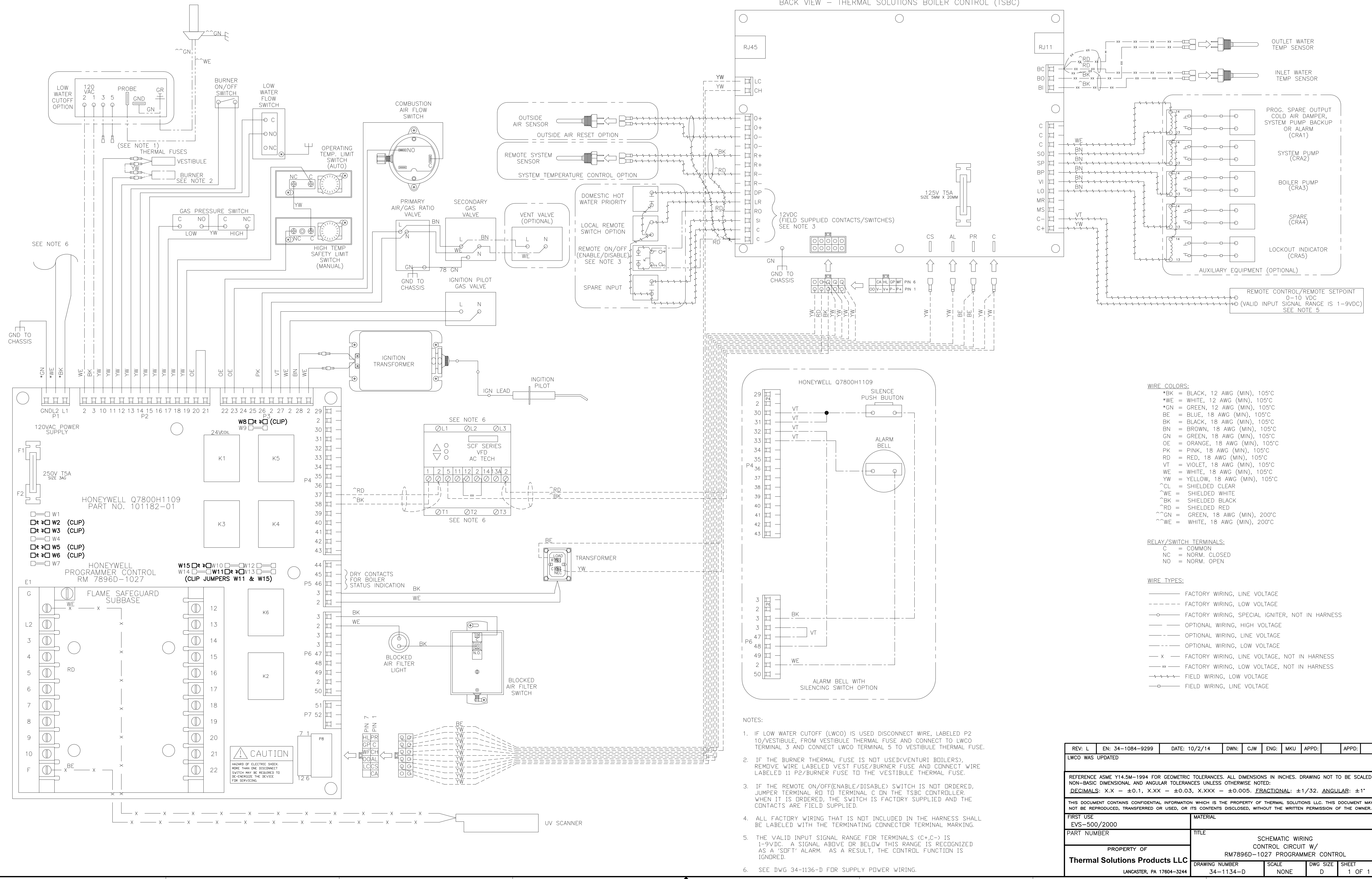
REFERENCE ASME Y14.5M-1994 FOR GEOMETRIC TOLERANCES. ALL DIMENSIONS IN INCHES. DRAWING NOT TO BE SCALED.  
 NON-BASIC DIMENSIONAL AND ANGULAR TOLERANCES UNLESS OTHERWISE NOTED:  
 DECIMALS: X.X - ±0.1, X.XX - ±0.03, X.XXX - ±0.005, FRACTIONAL: ±1/32, ANGULAR: ±1°

THIS DOCUMENT CONTAINS CONFIDENTIAL INFORMATION WHICH IS THE PROPERTY OF THERMAL SOLUTIONS, LLC. THIS DOCUMENT MAY NOT BE REPRODUCED, TRANSMITTED OR USED, OR ITS CONTENTS DISCLOSED, WITHOUT THE WRITTEN PERMISSION OF THE OWNER.

**PROPERTY OF**  
**Thermal Solutions Products LLC**  
 LANCASTER, PA 17604-3244

**TITLE**  
 LADDER WIRING DIAGRAM  
 RM/7896D 1027 PROGRAMMER CONTROL, EVS-500/2000  
 DRAWING NUMBER 34-1135-C  
 SCALE NONE  
 DWG SIZE C  
 SHEET 1 OF 1

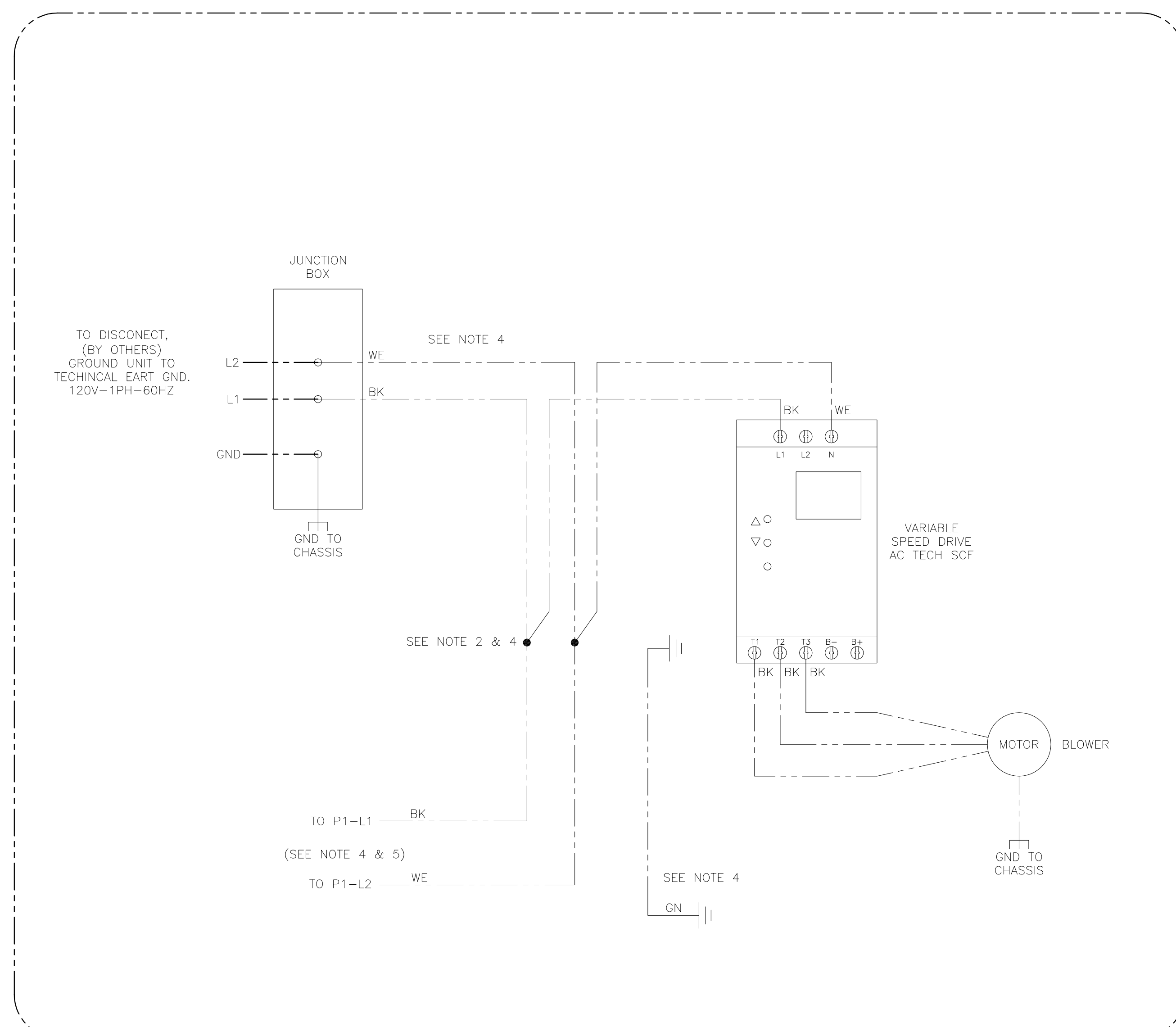
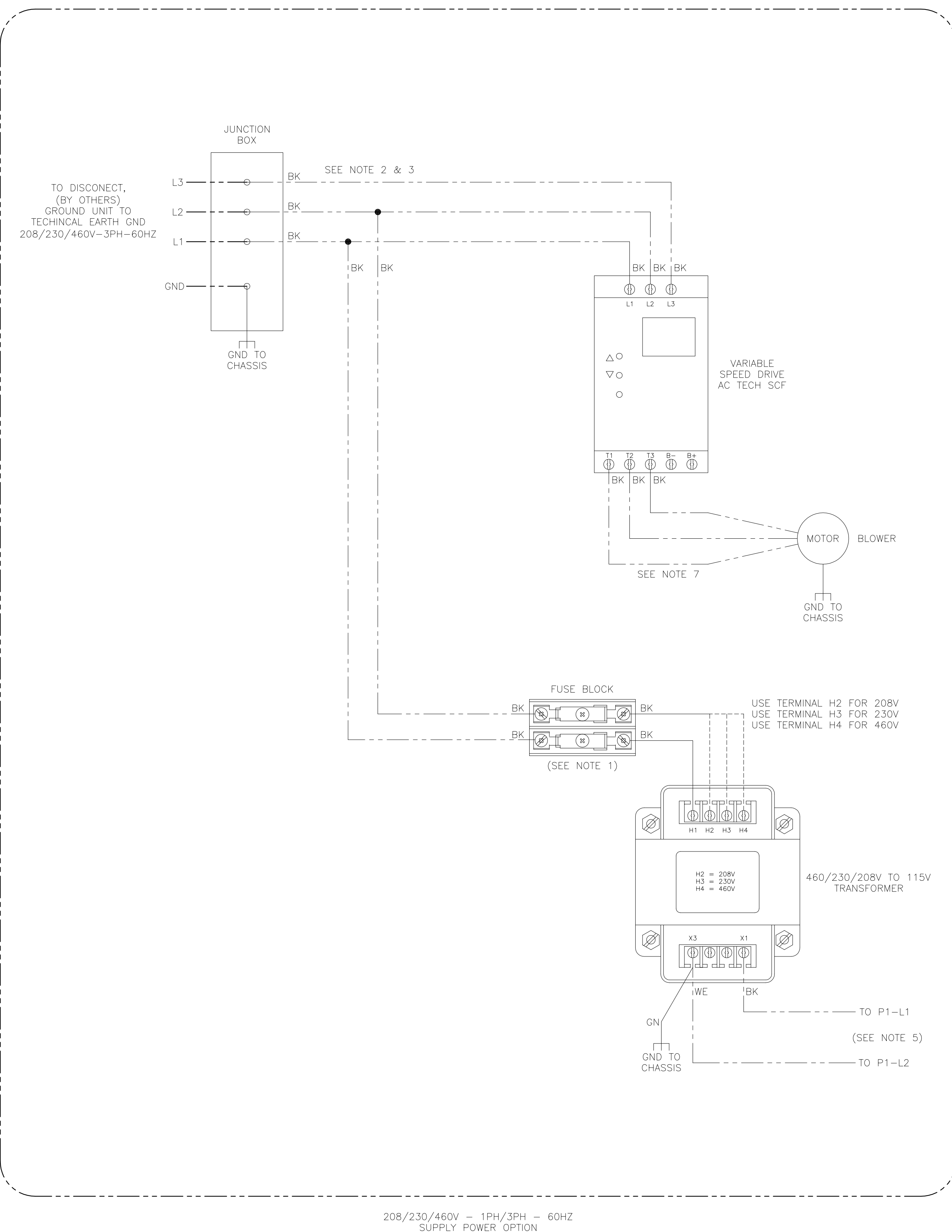
BACK VIEW - THERMAL SOLUTIONS BOILER CONTROL (TSBC)



- WIRE COLORS:**
- \*BK = BLACK, 12 AWG (MIN), 105°C
  - \*WE = WHITE, 12 AWG (MIN), 105°C
  - \*GN = GREEN, 12 AWG (MIN), 105°C
  - BE = BLUE, 18 AWG (MIN), 105°C
  - BK = BLACK, 18 AWG (MIN), 105°C
  - BN = BROWN, 18 AWG (MIN), 105°C
  - GN = GREEN, 18 AWG (MIN), 105°C
  - OE = ORANGE, 18 AWG (MIN), 105°C
  - PK = PINK, 18 AWG (MIN), 105°C
  - RD = RED, 18 AWG (MIN), 105°C
  - VT = VIOLET, 18 AWG (MIN), 105°C
  - WE = WHITE, 18 AWG (MIN), 105°C
  - YW = YELLOW, 18 AWG (MIN), 105°C
  - CL = SHIELDED CLEAR
  - WE = SHIELDED WHITE
  - BK = SHIELDED BLACK
  - RD = SHIELDED RED
  - GN = GREEN, 18 AWG (MIN), 200°C
  - WE = WHITE, 18 AWG (MIN), 200°C
- RELAY/SWITCH TERMINALS:**
- C = COMMON
  - NC = NORM. CLOSED
  - NO = NORM. OPEN
- WIRE TYPES:**
- FACTORY WIRING, LINE VOLTAGE
  - FACTORY WIRING, LOW VOLTAGE
  - FACTORY WIRING, SPECIAL IGNITER, NOT IN HARNESS
  - OPTIONAL WIRING, HIGH VOLTAGE
  - OPTIONAL WIRING, LINE VOLTAGE
  - OPTIONAL WIRING, LOW VOLTAGE
  - - - - - x ----- FACTORY WIRING, LINE VOLTAGE, NOT IN HARNESS
  - - - - - xx ----- FACTORY WIRING, LOW VOLTAGE, NOT IN HARNESS
  - - - - - ○----- OPTIONAL WIRING, LOW VOLTAGE
  - - - - - ○----- FIELD WIRING, LINE VOLTAGE

- NOTES:**
- IF LOW WATER CUTOFF (LWCO) IS USED DISCONNECT WIRE, LABELED P2 10/VESTIBULE, FROM VESTIBULE THERMAL FUSE AND CONNECT TO LWCO TERMINAL 3 AND CONNECT LWCO TERMINAL 5 TO VESTIBULE THERMAL FUSE.
  - IF THE BURNER THERMAL FUSE IS NOT USED (VENTURI BOILERS), REMOVE WIRE LABELED VEST FUSE/BURNER FUSE AND CONNECT WIRE LABELED I1 P2/BURNER FUSE TO THE VESTIBULE THERMAL FUSE.
  - IF THE REMOTE ON/OFF (ENABLE/DISABLE) SWITCH IS NOT ORDERED, JUMPER TERMINAL RD TO TERMINAL C ON THE TSBC CONTROLLER. WHEN IT IS ORDERED, THE SWITCH IS FACTORY SUPPLIED AND THE CONTACTS ARE FIELD SUPPLIED.
  - ALL FACTORY WIRING THAT IS NOT INCLUDED IN THE HARNESS SHALL BE LABELED WITH THE TERMINATING CONNECTOR MARKING.
  - THE VALID INPUT SIGNAL RANGE FOR TERMINALS (C+&C-) IS 1-9VDC. A SIGNAL ABOVE OR BELOW THIS RANGE IS RECOGNIZED AS A 'SOFT' ALARM. AS A RESULT, THE CONTROL FUNCTION IS IGNORED.
  - SEE DWG 34-1136-D FOR SUPPLY POWER WIRING.

REV: L	EN: 34-1084-9299	DATE: 10/2/14	DWN: CJW	ENG: MKU	APPD:	APPD:
LWCO WAS UPDATED						
REFERENCE ASME Y14.5M-1994 FOR GEOMETRIC TOLERANCES. ALL DIMENSIONS IN INCHES. DRAWING NOT TO BE SCALED. NON-BASIC DIMENSIONAL AND ANGULAR TOLERANCES UNLESS OTHERWISE NOTED: DECIMALS: X.X - ±0.1, X.XX - ±0.03, X.XXX - ±0.005. FRACTIONAL: ±1/32. ANGULAR: ±1°						
THIS DOCUMENT CONTAINS CONFIDENTIAL INFORMATION WHICH IS THE PROPERTY OF THERMAL SOLUTIONS LLC. THIS DOCUMENT MAY NOT BE REPRODUCED, TRANSFERRED OR USED, OR ITS CONTENTS DISCLOSED, WITHOUT THE WRITTEN PERMISSION OF THE OWNER.						
FIRST USE EVS-500/2000	MATERIAL					
PART NUMBER	TITLE SCHEMATIC WIRING CONTROL CIRCUIT W/ RM7896D-1027 PROGRAMMER CONTROL					
PROPERTY OF <b>Thermal Solutions Products LLC</b>			DRAWING NUMBER 34-1134-D			
LANCASTER, PA 17604-3244			SCALE NONE	DWG SIZE D	SHEET 1 OF 1	



NOTES:

- UL CLASS "CC" CARTRIDGE FUSE TIME DELAY, 600V AC, 200K I.R., 3 AMP.
- USE SPRING CAGE CONNECTORS (PN 81368915) FOR WIRE JUNCTIONS.
- IF SINGLE PHASE ELECTRICAL INPUT IS USED, L3 IF NOT USED
- FOR 120V-1PH ONLY:
  - REMOVE FORKED CONNECTOR FROM BK WIRE LABELED L1-P1/115V XFMR X1 AND COMBINE INTO CONNECTOR AS SHOWN.
  - CLIP AND REMOVE WE WIRE LABELED L2-P1/115V XFMR X3 FROM FORKED CONNECTOR AND COMBINE INTO CONNECTOR AS SHOWN.
  - SECURE FORKED END AND RING TERMINAL END OF GN WIRE LABELED 115V XFMR GND/X3 TO THE CONTROL PANEL ASSEMBLY.
- FOR CONTROL CIRCUIT WIRING, USE THE FOLLOWING DWGS:
 

SCHMATIC:	
34-1134-D STANDARD	} EVS-500/2000
34-1148-D P.O.C. OPTION	
34-1178-D STANDARD	} EVS-2000S/3000
34-1179-D P.O.C. OPTION	
LADDER:	
34-1135-C STANDARD	} EVS-500/2000
34-1147-C P.O.C. OPTION	
34-1180-C STANDARD	} EVS-2000S/3000
34-1181-C P.O.C. OPTION	
- ALL WIRING SHALL BE LABELED WITH THE TERMINATING CONNECTOR TERMINAL MARKING.
- FOR 3 PHASE INPUT, THE LEAD WIRES MUST BE REVERSED AS SHOWN BELOW TO GET PROPER MOTOR ROTATION
  - >L1 TO T2
  - >L2 TO T1
  - >L3 TO T3

WIRING LEGEND

- FACTORY WIRING, 12 AWG, 600V, 105°C
- FACTORY WIRING, 18 AWG, 600V, 105°C

REV: H	EN: 34-1112-9677	DATE: 02/26/15	DWN: CJW	ENG: MKU	APPD: APPD:
DESCRIPTION: ADDED NOTE 7					
REFERENCE ASME Y14.5M-1994 FOR GEOMETRIC TOLERANCES. ALL DIMENSIONS IN INCHES. DRAWING NOT TO BE SCALED. NON-BASIC DIMENSIONAL AND ANGULAR TOLERANCES UNLESS OTHERWISE NOTED: DECIMALS: X.X - ±0.1, X.XX - ±0.03, X.XXX - ±0.005. FRACTIONAL: ±1/32. ANGULAR: ±1°					
THIS DOCUMENT CONTAINS CONFIDENTIAL INFORMATION WHICH IS THE PROPERTY OF THERMAL SOLUTIONS LLC. THIS DOCUMENT MAY NOT BE REPRODUCED, TRANSFERRED OR USED, OR ITS CONTENTS DISCLOSED, WITHOUT THE WRITTEN PERMISSION OF THE OWNER.					
FIRST USE EVS-500/3000	MATERIAL				
PROPERTY OF <b>Thermal Solutions Products LLC</b> LANCASTER, PA 17604-3244			TITLE SCHEMATIC WIRING SUPPLY POWER		
DRAWING NUMBER 34-1136-D	SCALE NONE	DWG SIZE D	SHEET 1 OF 1		